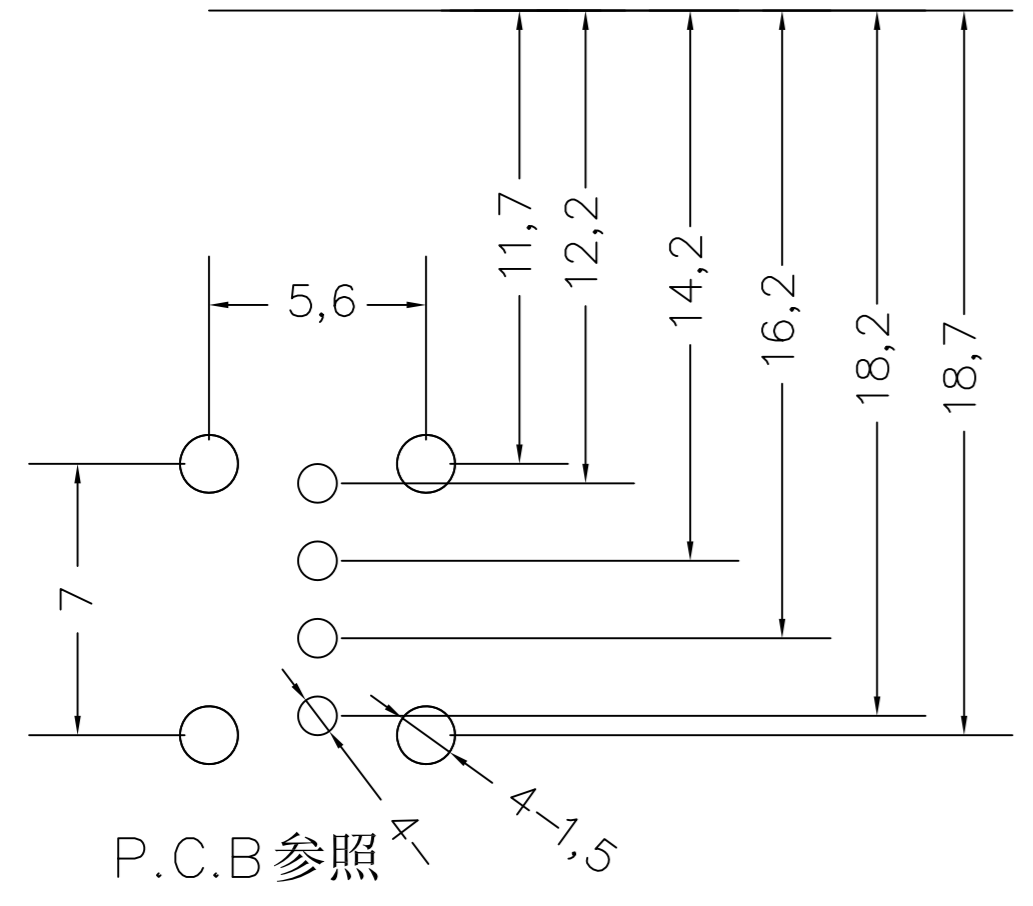
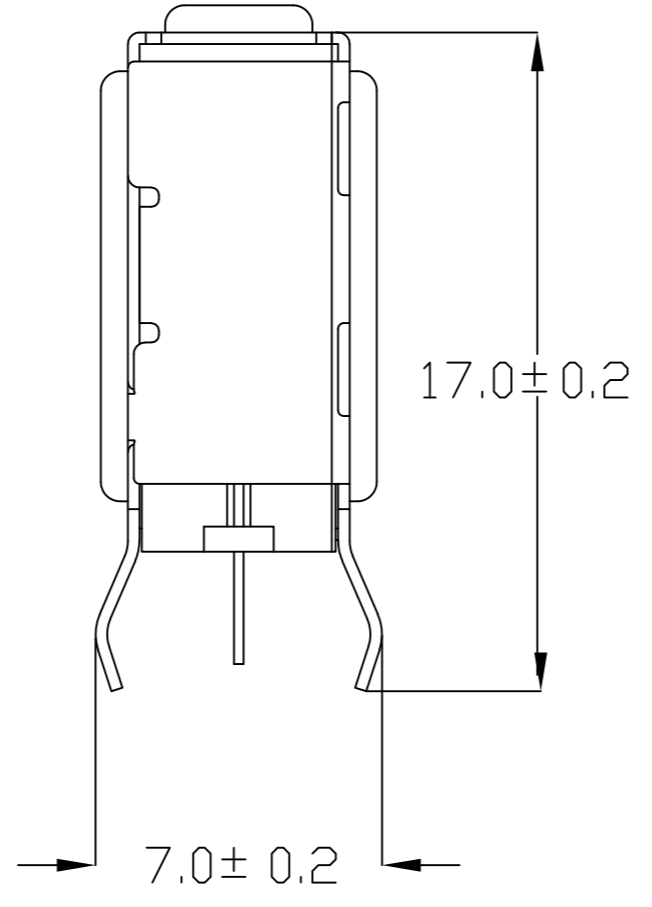
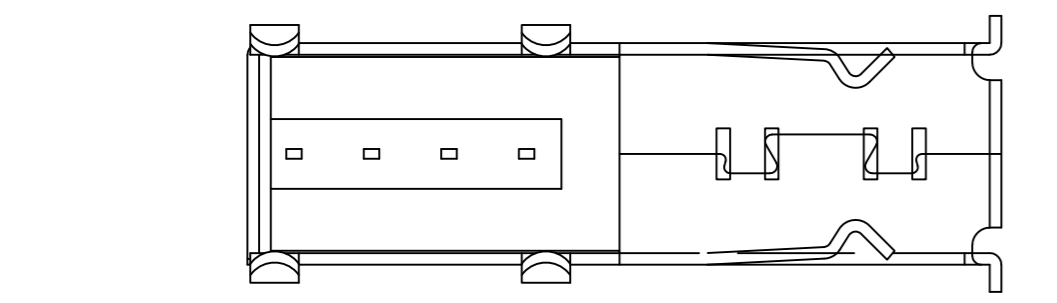


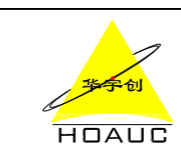
X(材质)	X(颜色)
不锈钢 (S)	黑/black (B)
铜壳 (C)	白/white (W)
铁壳 (I)	



NOTES:

- MATERIAL SPECIFICATION
 - INSULATION MATERIAL THERMOPLASTIC.
 - SHELL: COPPER ALLOY/SPCC, T:0.30mm
PLATING: NICKEL
 - TERMINAL: COPPER ALLOY, T:0.25mm
PLATING: GOLD/TIN PLATED.
 - ELECTRICAL CHARACTERISTIC:
 - INSULATION RESISTANCE: 1000MΩ MIN.
 - CONTACT RESISTANCE: 30mΩ MAX.
 - WITHSTANDING VOLTAGE: 500V AC.
 - MECHANICAL CHARACTERISTICS:
 - INSERTION FORCE: 3.57Kgf MAX.
 - EXTRACTION FORCE: 1.02Kgf MIN.
- ORDERING INFORMATION

保存环境: 干燥常温环境, 避免接触酸性和潮湿气候



深圳市华宇创精密电子有限公司

TOLERANCE: X.X ±0.30 X.XX ±0.25 X.XXX ±0.15 X.* ±2* X.*' ±0.5*	DRAWN BY : 陈一鸣	DATE : 2014-02-23	PART NAME: USB AF 长体侧插有卷边	
	CHECKED BY: 马跃	DATE : 2014-02-23	PART NO. HYC78-USBA04-195-XX	MOLD NO.
UNIT: mm [inch]	APPROVED BY: 邱敏	DATE : 2014-02-23	DRAW NO: HYC-USB15120116	SHEET NO. 1 OF 1
SCALE: 1:1	SIZE: A4			